

TEMPERATURE SENSORS



PRODUCT APPLICATION MANUAL

GB150311

Introduction

The Fancom temperature sensors are designed for use in poultry and pig houses. In combination with our controls, they provide a reliable climate control for your pigs and poultry to ensure maximum growth with as little energy as possible. The special design and the seal ensures that the sensor is not exposed to moisture and ammonia. The Fancom sensors can be used with our Aura, Lumina, F2000, FC and, FSU controls. Fancom has various sensors in the package for various applications. Depending on the house dimension we advice to use one or more sensors in relation to differences of temperatures.

Type tempearture sensors

Description	Art. nr.	Application	Cable length	Controls
SF.7	5045011.01	Room temperature	Inapplicable	Aura, Lumina, FSU, FC
SM.7	5045003	Room temperature	Inapplicable	Aura, Lumina, FSU, FC
SW.7	5045006.01	Water temperature	Inapplicable	Aura, Lumina, FSU, FC
SA.7/5	4220044	Air / floor temperature	5 meter	Aura, Lumina, FSU, FC
SA.7/10	4220045	Air / floor temperature	10 meter	Aura, Lumina, FSU, FC
SA.7/30	4220046	Air / floor temperature	30 meter	Aura, Lumina, FSU, FC

Features

SF.7

- Used for measuring the room temperature
- The special design and color of the SF.7 sensor ensures that the animals are in an optimal environment temperature to ensure maximum growth with as little energy as possible.
- Optimum seal and special design (double to avoid an influence of moisture and ammonia).
- Can be placed hanging free as well as against a wall or other object.
- Fancom recognizable by color and print
- Fancom sensor also measures radiant heat
- Easy connection

SM.7

- Used for measuring the room temperature
- Optimum seal to avoid an influence of moisture and ammonia.
- Easy connection
- Can be placed hanging free as well as against a wall or other object.

SW.7

- Used for measuring the water temperature in a pipe
- Optimum seal and special design to avoid an influence of moisture and ammonia
- Can be screwed directly into the water circuit using 1/2" external screw coupling
- Easy connection

SA.7

- Used for measuring air temperature and floor temperature
- The sensor is equipped with various cable lengths
- Optimum seal to avoid an influence of moisture and ammonia.
- Easy connection

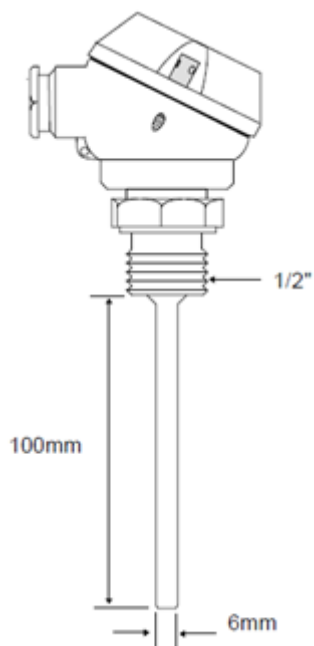
Wiring

Temperature sensor
SF.7 / SM.7 / SW.7 / SA.7

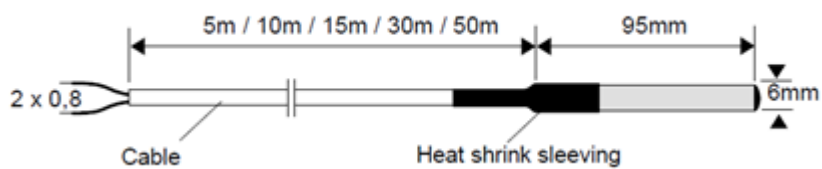
2 x 0,8 mm (0,5 mm²)

Wiring

SW.7



SA.7



Technical specifications

SF.7

Housing	
Plastic housing with screw-on lid	IP66
Dimensions (o×h)	110×600mm
Weight (unpacked)	0.096kg
Ambient climate	
Operating temperature range	-50°C to +110°C
Storage temperature range	-50°C to +50°C
Accuracy (0°C to +60°C)	<0.2°C
Accuracy (-25°C to +100°C)	<0,5°C)

SM.7

Housing	
Plastic housing with screw-on lid	IP54
Dimensions (l×w×h)	130x80x40mm
Weight (unpacked)	0.054kg
Ambient climate	
Operating temperature range	-50°C to +110°C
Storage temperature range	-50°C to +50°C
Accuracy (0°C to +60°C)	<0.2°C
Accuracy (-25°C to +100°C)	<0,5°C)

SW.7

Housing	
Plastic housing with screw-on lid	IP66
Dimensions (l×w×h)	160x60x50mm
Weight (unpacked)	0.150kg
Ambient climate	
Operating temperature range	-50°C to +110°C
Storage temperature range	-50°C to +50°C
Accuracy (0°C to +60°C)	<0.2°C
Accuracy (-25°C to +100°C)	<0,5°C)

SA.7

Housing	
Dimensions (l×w×h)	200x190x20mm
Weight (unpacked)	0.178kg
Type cable	PUR cable
Ambient climate	
Operating temperature range	-50°C to +110°C
Storage temperature range	-50°C to +50°C
Accuracy (0°C to +60°C)	<0.2°C
Accuracy (-25°C to +100°C)	<0,5°C)