



<b>Negative pressure sensor 0-100Pa + 10m hose</b>	<b>A4170007.01</b>
<b>Negative pressure sensor 0-300Pa + 10m hose</b>	<b>A4170008.01</b>
<b>Negative pressure sensor 0-100Pa with display + 10m hose</b>	<b>A4170009.01</b>
<b>Negative pressure sensor 0-300Pa with display + 10m hose</b>	<b>A4170010.01</b>

**Contents**

Applications _____	1
Features _____	1
Dimensions _____	2
Wiring _____	2
Technical specifications _____	2

**Applications**

The electronic negative pressure sensor 0..100 Pa is used to measure negative pressure in poultry and pig houses. It can be connected to all types of Fancom controllers.

The electronic negative pressure sensor 0..300 Pa is used to measure negative pressure in central exhausts. It can be connected to all types of Fancom controllers.

Some Fancom controllers can connect this sensor and use it to control negative pressure in the house or in a central exhaust.

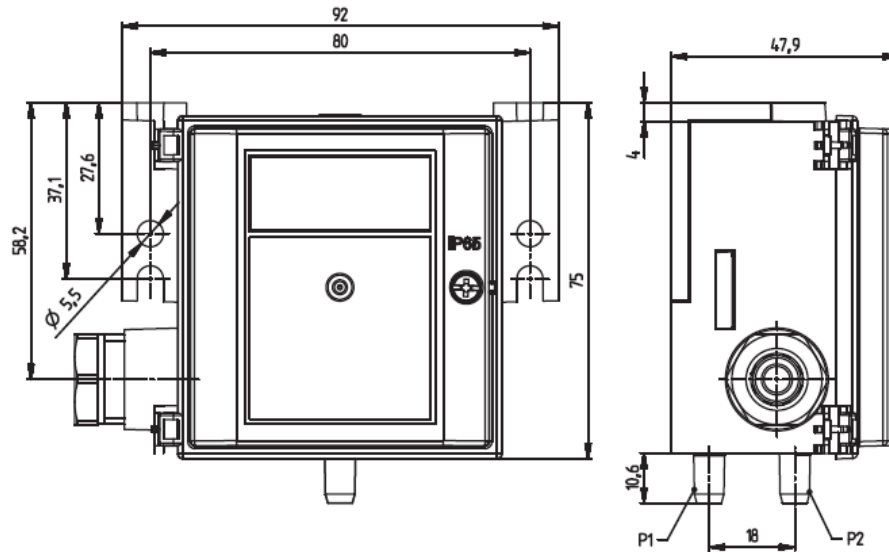
Type with display available.

**Features**

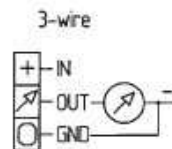
- Linear, calibrated, temperature-compensated sensor signal
- Read out in Pa
- Includes 10meter hose
- Fast, easy mounting
- Housing incorporates integral bracket for wall or ceiling mounting
- Snap-on cover with a single screw
- Attractive price/performance ratio



## Dimensions



## Wiring



## Technical specifications

<b>Power</b>	
Operating voltage	13,5..33 Vdc / 24 Vac +/- 15%
Output	0..10 Vdc
Current	<10 mA
<b>Mounting</b>	
Pressure connection	Hose Ø 6,2 mm
Mounting	Vertical
Measurement range 100Pa sensor	0..100Pa
Measurement range 300Pa sensor	0..300Pa
Operating temperature	0°C to +70°C / 32°F to 158°F
Storage temperature	-10°C to +70°C / 14°F to 158°F
<b>Housing</b>	
Material, Type	Polycarbonate (PC), IP54
Weight	0,10 kg
<b>Wiring</b>	
Signal – power supply	3 x 0,8 mm