

CO2 SENSOR



PRODUCT APPLICATION MANUAL

GB150630
Art. Nr. 4270017

Introduction

The Fancor greenline CO₂ sensor is used to measure CO₂ in poultry and pig houses. In combination with our other sensors (temperature and humidity), they provide a reliable control for your pigs and poultry. Fancor robust electronic CO₂ sensor is resistant to aggressive circumstances.

Type sensors

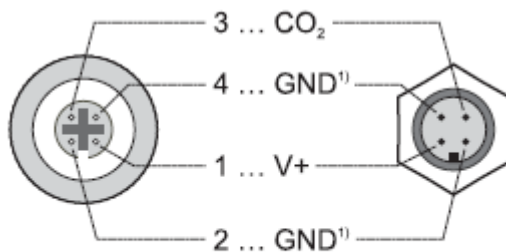
Description	Art. nr.	Application	Cable length	Controls
CO ₂ sensor	4270025.02	Inside CO ₂ sensor	10 meter	Lumina, FSU
Cover & filter CO ₂ sensor	2270016	Inside CO ₂ sensor		

Features

- The measurement is virtually impervious to interaction with other gases, such as ammonia, moisture and dust.
- The sensor is provided with a plug connection so that it can be easily removed during cleaning of the house.
- The sensor is supplied with a separate cable with a connector making it easy to connect.
- A separate lid with integrated filter is available for maintenance. If the filter is soiled the lid can be replaced easily. In practice, this means that the lid should be replaced at least twice a year.

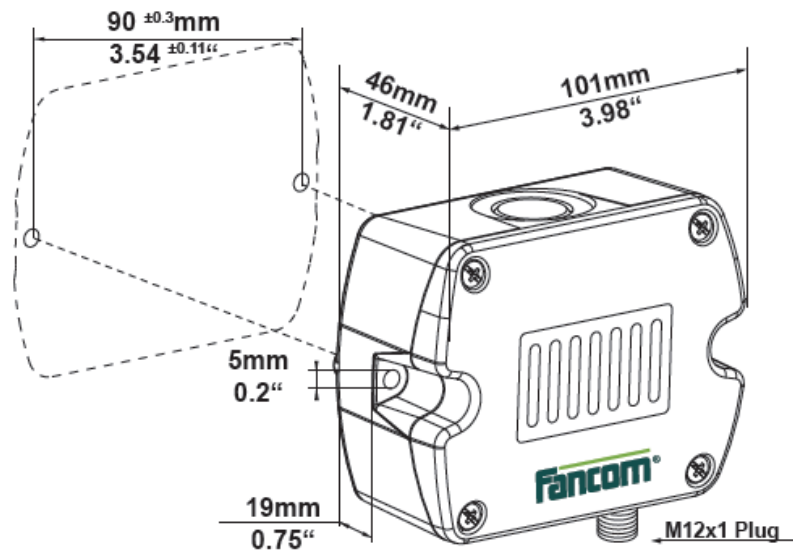
Wiring

CO₂ sensor ————— **4 x 0,8 mm (0,5 mm²)** —————▶



1) GND internally connected

Dimensions



Technical specifications

Housing	
Polycarbonate housing	IP54
Dimensions (o×h)	101x81mm
Weight (unpacked)	0.236kg
Length cable	5 meter
Type cable	PVC, 4x0,34mm ²
Connector	M12 plug
Power	
Operating voltage	15 - 35 Vdc (24Vac +/- 20%)
Power consumption	15mA, max 0.5A for 0,3s
Warm up time	< 5 minutes
Measurement	
Measuring principle	NDIR
Output	0 - 5 Vdc (linear)
Range	0 - 5000 ppm
Accuracy	At 20°C 50 ppm (3% of the measured value)
Ambient climate	
Operating temperature range	-20°C to +60°C 0-100% RH (non-condensing)
Storage temperature range	-20°C to +60°C 0-100% RH (non-condensing)